

#173

Luella Jean Sites Gifford.

556 S Poplar St.

Bucyrus, Ohio 44820

a
NY)
106
rio
ch.
ich
Mic
ich

PEDIGREE CHART

DATE _____

NAME OF PERSON SUBMITTING CHART _____

STREET ADDRESS _____

CITY _____ STATE _____

NO. 1 ON THIS CHART IS
THE SAME PERSON AS NO. _____
ON CHART NO. _____

1 Louann Mary Cofrancesco

BORN 10-5-61
WHERE San Bernardino, CA
WHEN MARRIED
DIED
WHERE

NAME OF HUSBAND OR WIFE _____

SOURCES OF INFORMATION _____

2 Luigi Kenneth Cofrancesco (Louis)

BORN 4-20-1920
WHERE Auburn, N.Y.
WHEN MARRIED 12-3-1958 Los Vegas NV
DIED
WHERE

3 Evelyn Ann Turner

BORN 3-18-1940
WHERE Coalton OH
DIED
WHERE

4 Anthony Guarneri

BORN (2-10-1888) 2-10-1887
WHERE Massa Italy or Mas
WHEN MARRIED
DIED 9-25-1969 prostate Cancer
WHERE Auburn N.Y.
Emigrated alone 1906 age 19
Mill operator
grocery store
Feed Mill
Cider Mill
wool cutter

5 Seraphina Aceto

BORN 5-20-1888
WHERE Provencio Benevento or Naples Italy
DIED 2-17-1960
WHERE San Bernardino, CA

6 George Daniel Turner

BORN 7-20-1906
WHERE Coalton OH
WHEN MARRIED 3-29-1930 Gallatin TN
DIED 6-16-1964
WHERE Yuma Arizona
Merchant Marine WWII
Rail Road worker
Coal Miner

7 Ella Mae Williams

BORN 6-24-1909
WHERE Barren Co. Ky
DIED 4-8-1988
WHERE San Bernardino CA
proprietor Ella Maes Road house coalton OH
Nurses Aid

PEDIGREE CHART

CHART NO. 1

Anthony Guarneri

BORN ~~(2-10-1888)~~ 2-10-1887
 WHERE Massa Italy or Mas.
 WHEN MARRIED
 DIED 9-25-1969 prostate Cancer
 WHERE Auburn N.Y.
 Immigrated alone 1906 age 19
 Mill operator
 Grocery store
 Feed Mill
 Cider Mill
 Wood cutter

Seraphina Aceto

BORN 5-20-1888
 WHERE Provencio Benevento or Naples Italy
 DIED 2-17-1960
 WHERE San Bernardino, CA

George Daniel Turner

BORN 7-20-1906
 WHERE Coalton OH
 WHEN MARRIED 3-29-1930 Gallatin TN
 DIED 6-16-1964
 WHERE Yuma Arizona
 Merchant Marine WWII
 Rail Road worker
 Coal Miner

Ella Mae Williams

BORN 6-24-1909
 WHERE Barren Co. Ky
 DIED 4-8-1988
 WHERE San Bernardino CA
 proprietor Ella Maes Road house Coalton OH
 Nurses Aid

8 Inoczio Guarneri

BORN
 WHERE
 WHEN MARRIED
 DIED
 WHERE

9 Angelia Ditore

BORN
 WHERE
 DIED
 WHERE

10 Raphael Aceto (Ralph)

BORN 10-21-1865
 WHERE provencio Benevento or Naples Italy
 WHEN MARRIED
 DIED 11-16-1933 Jute Mill Laborer
 WHERE Paterson New Jersey

11 Julia Capello

BORN ABT 1850
 WHERE Provencio Benevento or Naples
 DIED 2-1-1926 Interstitial Nephritis
 WHERE Paterson New Jersey

12 George W. Turner

BORN 4-19-1872
 WHERE Coalton OH
 WHEN MARRIED 1892
 DIED 4-14-1921 Coal mining accident
 WHERE Harlan Ky

13 Elizabeth Anna Hollingsworth

BORN 3-21-1866
 WHERE Greenup Ky
 DIED 9-20-1940
 WHERE Coalton OH midwife caretaker

14 James Alonzo Williams (Lcn)

BORN 4-26-1882
 WHERE Slickrock Ky metcalfe Ca
 WHEN MARRIED
 DIED 9-20-1947
 WHERE Barren Co. Ky sharecropper

15 Elizabeth Bowles (Lizzie)

BORN 11-16-1890
 WHERE Barren Co. Ky
 DIED 7-4-1915
 WHERE Glasgow Ky

16		CONT. ON CHART	<u>2</u>
17		CONT. ON CHART	<u>3</u>
18		CONT. ON CHART	<u>4</u>
19		CONT. ON CHART	<u>5</u>
20	<u>Joseph Aceto</u>	CONT. ON CHART	<u>6</u>
21	<u>Sarah Cutillo</u>	CONT. ON CHART	<u>7</u>
22	<u>Antonio Capello</u>	CONT. ON CHART	<u>8</u>
23	<u>Marianna Gioniti</u>	CONT. ON CHART	<u>9</u>
24	<u>William Turner Sr. (Billy)</u>	CONT. ON CHART	<u>10</u>
25	<u>Hester Ann Goodrich</u>	CONT. ON CHART	<u>11</u>
26	<u>Daniel Thomas Hollingsworth</u>	CONT. ON CHART	<u>12</u>
27	<u>America E. Gallion (Mary Martha mec)</u>	CONT. ON CHART	<u>13</u>
28	<u>Joseph Newton Williams</u>	CONT. ON CHART	<u>14</u>
29	<u>Sarah Eliza Cloyd</u>	CONT. ON CHART	<u>15</u>
30	<u>James Milton Bowles</u>	CONT. ON CHART	<u>16</u>
31	<u>Arbelle Carter</u>	CONT. ON CHART	<u>17</u>

Dear Francis Hixon,

#231
~~Glenn~~ Glenn Goodrich
5728 Old Emmett Rd.
Emmett, Mich 48022
Researching
Goodrich

I have enclosed an old photo you can keep. It is my grand father George Daniel Turner's school picture. I thought you might want to print it. I believe his school was in Coal ton, but it could have been in Jackson. My great grand father George W. Turner was a brother of William L. Turner, sherrif of Jackson and uncle of Preston Turner, sherrif of Jackson. I still have not been able to trace the turner line any further than William Billy Turner and Hester Goodrich. Can you connect me with any Turner or Goodrich researchers? I have not even been able to trace these families outside of Jackson OH. Do you have in your files the story or song about the last hanging in Jackson Ohio? I would like to pay any expenses if you find any Turner family information.

sincerely,
Louann Cofrancesco
Louann Cofrancesco
7467 Club View Dr.
Highland, CA 92346



George
Daniel
Turner

(Middle Row, tie, spot on forehead)

April 20, 1989
556 S. Poplar St.
Bucyrus, Ohio 44820

Dear Jackson Co. Gen. Society,
Enclosed you will
find my check for \$8.00
for membership in your
society. Also my ancestor
charts and cards.

I am interested in
the following surnames
on my fathers line: Peden,
Thomasson, Wagner, Shields
and Gleason's.

Thank you,

Mrs. Luella Jean Sites Gifford
556 S. Poplar St.
Bucyrus, Ohio 44820

Query

Wish to correspond with
anyone researching the following
surnames in Jackson County:
Shields, Gleason, Thomasson, Wagner,
Peden. Am willing to share information
I have. I am seeking the parents
& siblings of John Shields and
Olive Gleason who married in
Gallia Co and lived Jackson
County according to the 1870 &
1880 census of Jackson County.

ancestral chart

5 GENERATIONS

Chart # 1

16 GEORGE WESLEY SITES chart # 1

from chart ..

b=born
m=married
d=died
r=resided



Name LUELLA JEAN GIFFORD
Address 556 S. Poplar St.
bucyrus, Ohio 44820

I hereby give my permission to the Ohio Genealogical Society for this chart to be published by same.
#Desires more information
+Has more information (over)

Luella Jean Sites Gifford Jan 31, 1988
signature date

#23-FRANCES A. THOMASSON PARENTS WERE:

Father=PHINIS THOMASSON B.-1805 Va. D.D.-22 Mar. 1881 Jackson Co., Oh.
Mother=AGNUS WAGNER B.-1817 Va.
(Agnes)

#25CEBASKA ERWIN'S PARENTS WERE:

Father=William Erwin B-1807 Pa. D.D.?
Mother=Charlotte B-1811 Pa. D.D.?
Were living in Henry County Ohio on 1850 Census

#26 JOSHUA YOUNGS PARENTS WERE:

Father:John C. Youngs B-N.Y. D.D. Ingham Co., Mich.
Mother:Catharine Jordan B-N.Y. c- D.D. Ingham Co. Mich.

#27AMANDA E. SITTS PARENTS WERE:

Father: William Sitts b.-1807 N.Y. D.D.1862 Mich.
Mother: Lana(Lina)?
Shaunou b.-1810 N.Y. D.D.1884 Mich.

#31 ELLEN A. JONES PARENTS WERE:

Father:Simeon P. Jones B.-27Apr.1799 N.Y. D.D.20Apr.1888 Mich.
Served in War of 1812 in N.Y. Militia.
Mother:Mary Chaffee B. D. N.Y. c-

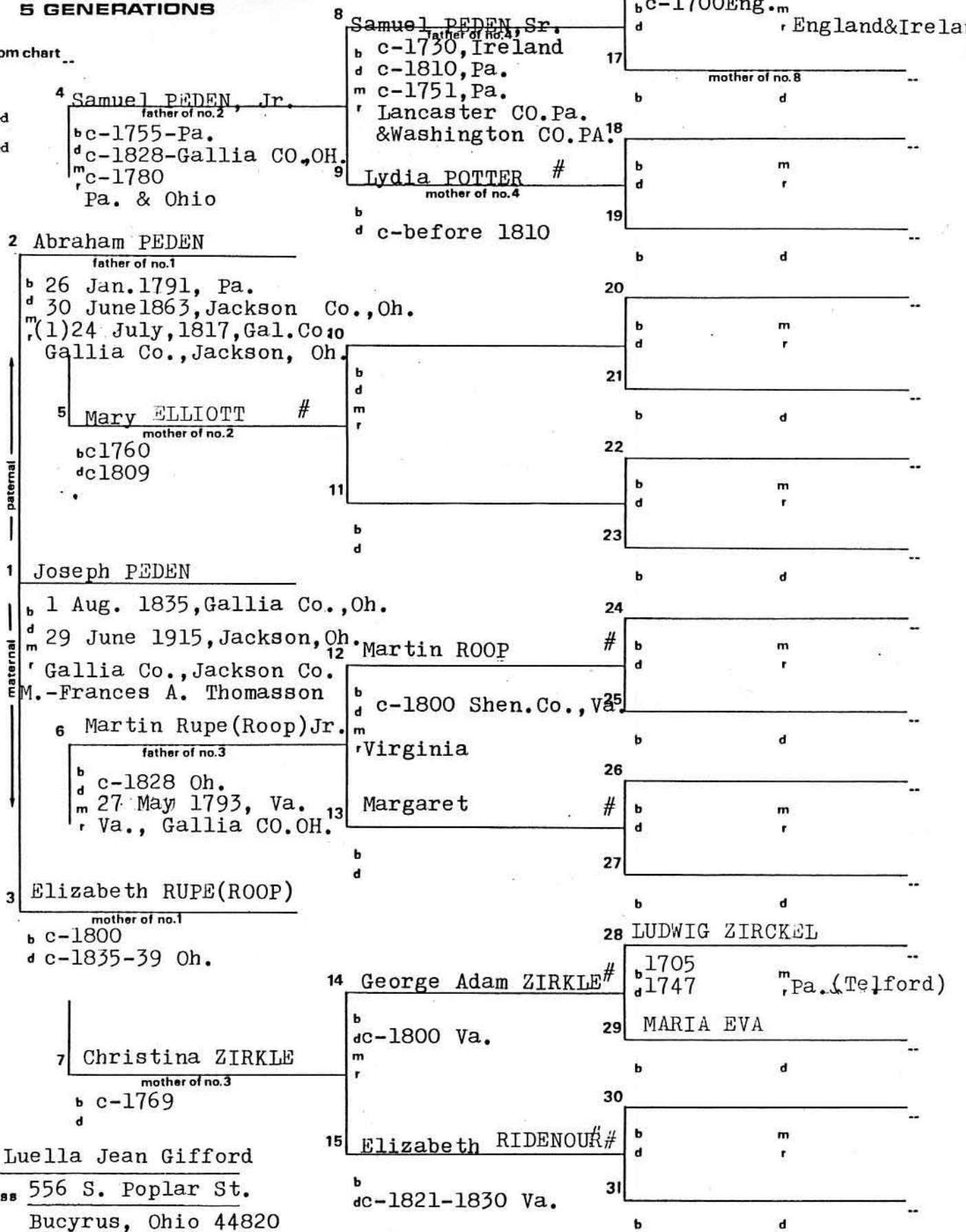
ancestral chart

5 GENERATIONS

16 Joseph PEDEN # to chart

from chart ..

b=born
m=married
d=died
r=resided



Name Luella Jean Gifford
 Address 556 S. Poplar St.
Bucyrus, Ohio 44820

I hereby give my permission to the Ohio Genealogical Society for this chart to be published by same.

signature/date

ancestral chart

5 GENERATIONS

Chart M-2

from chart /

b=born
m=married
d=died
r=resided

4 NATHANIEL BEMENT
 father of no. 2
 b 8 Feb. 1778, Conn.
 d 11 May 1848, Lor. CO. O.
 m 11 Feb. 1802
 r Suffield, Conn. & Ohio

2 EDMUND COLLINS BEMENT
 father of no. 1
 b 25 Sept. 1813 Lowville, N.Y.
 d 15 July 1875 Spencer, Oh.
 m 25 Dec. 1833
 r Lowville, N.Y. & Lorain Co., Ohio

5 SARAH HASTINGS
 mother of no. 2
 b 1782 Ma.

1 EDMUND D. BEMENT +
 b 22 Mar. 1835 N.Y.
 d 19 Oct. 1926 Mich.
 m 24 Dec. 1857 Mich.
 r N.Y., Lorain Co. Oh.,
 Eaton Co., Mich.

6
 father of no. 3
 b
 d
 m
 r

3 SALLY ANN RANIER #
 mother of no. 1
 b 1817
 d 26 Apr. 1887 Lorain Co. Ohio

7
 mother of no. 3
 b
 d

8 EDMUND BEMENT
 father of no. 4
 b 2 Sept. 1739, Conn.
 d 12 Sept. 1801 Conn.
 m 27 May 1767
 r Conn.

9 Mary Sheldon #
 mother of no. 4
 b 1747
 d 1842 N.Y.

10 JOSEPH HASTINGS
 b
 d 21 June 1806
 m
 r

11 ANNIS MUNN
 b 1 Mar. 1744
 d

12
 b
 d
 m
 r

13
 b
 d

14
 b
 d
 m
 r

15
 b
 d

16 JONATHAN BEMENT #+ to chart
 father of no. 8
 b 12 Dec. 1705 m 30 Sept. 1731
 d 1746 r Conn.

17 PATIENCE ALIEN #+
 mother of no. 8
 b 22 May 1709 d

18
 b
 d
 m
 r

20 BENJAMIN HASTINGS +
 b May 1699 m 22 Sept. 1721
 d 16 Aug. 1774 r

21 PRUDENCE SMITH #
 b 1700 d 20 Sept. 1774

22 SAMUEL MUNN #+
 b 14 Sept. 1719 m 16 Mar. 1743
 d Deerfield, Ma

23 SARAH COLLINS #+
 d 31 Jan. 1752 D.

24
 b
 d
 m
 r

25
 b
 d

26
 b
 d
 m
 r

27
 b
 d

28
 b
 d
 m
 r

29
 b
 d

30
 b
 d
 m
 r

31
 b
 d

Name LUELLA JEAN GIFFORD
 Address 556 S. Poplar St.
Bucyrus, Ohio 44820

I hereby give my permission to the Ohio Genealogical Society for this chart to be published by same.

signature/date

ancestral chart

5 GENERATIONS

from chart #1

b=born
m=married
d=died
r=resided

2 Thomas CHESLEY

1782^{father of no.1} N.H.
b before 1860
d 1804 Vermont
m N.H., Vt., N.Y., OH., Mich.
r

paternal

maternal

1 Lorenzo Dow CHESLEY

c-1815 N.Y.
d 6 Mar. 1871, St. Joseph Co., Mich.
m N.Y., OH., Mich.
r

6 Jonathan H. SANBORN

3 May 1759^{father of no.3} N.H.
d 1781
r Wheelock & Danville Vt.

3 Hannah SANBORN

28 June 1789^{mother of no.1} Vt.
d Mich.

7 Sarah MILES #

26 May 1760^{mother of no.3}
d 1840 N.Y.

Name Luella Jean Gifford
Address 556 S. Poplar St.
Bucyrus, Ohio 44820

8 Thomas CHESLEY

c-1714^{father of no.4} N.Hampshire
d c-1778 N.H.
m c-1739
r Durham, N. H.

9 Mary HILL #

mother of no.4

b
d

16 Joseph CHESLEY + to chart

father of no.8

b
d c-1730 m Durham, N.H.

17 Hannah BUSS #

mother of no.8

b
d

18

b
d m
r

19

b
d

20

b
d m
r

21

b
d

22

b
d m
r

23

b
d

24 (Dec) Daniel SANBORN +

17 Feb 1702 14 Jan. 1725
1786 m N.H.

25 Catherine ROLLINS #

b
d

26 James HOBBS #

b
d m
r

27

b
d

28

b
d m
r

29

b
d

30

b
d m
r

31

b
d

CAM 198

I hereby give my permission to the Ohio Genealogical Society for this chart to be published by same.

#Desires More Information
+Has more information

Luella Jean Sites Gifford Jan 31, 1988
signature/date

ancestral chart

5 GENERATIONS

from chart __

b=born
m=married
d=died
r=resided

4 RICHARD SAMBORNE

father of no. 2
b 4 Jan. 1655 Hampton
d c-1716
m 5 Dec. 1678(1)
r Hampton

2 ENSIGN JOHN SAMBORN

father of no. 1
b 6 Nov. 1681 Hampton
d 3 Sept 1727 Chester
m 8 Aug. 1701
r Hampton and Chester N.H.

5 RUTH MOULTON

mother of no. 2
b
d 3 May 1685

1 (DEC) DANIEL SANBORN

b 17 Feb. 1702
d 1786
m 14 Jan. 1725 N.H.

6 Lieut. James Philbrick

father of no. 3
b
d
m
r

3 SARAH PHILBRICK

mother of no. 1
b
d 30 May 1761

7

mother of no. 3

b
d

8 LIEUT. JOHN SAMBORNE

father of no. 4
b 1620
d 20 Oct. 1692
m
r Hampton N.H.

9 MARY TUCK

mother of no. 4
b
d 30 Dec. 1668

10 WILLIAM MOULTON

b
d
m
r

11

b
d

12

b
d
r

13

b
d

14

b
d
m
r

15

b
d

16

father of no. 8

b
d

m
r

17

mother of no. 8

b

d

18 ROBERT TUCK

b
d

m
r

19

b

d

20

b
d

m
r

21

b

d

22

b
d

m
r

23

b

d

24

b
d

m
r

25

b

d

26

b
d

m
r

27

b

d

28

b
d

m
r

29

b

d

30

b
d

m
r

31

b

d

Name Luella Jean Gifford
Address 556 S. Poplar St.
Bucyrus, Ohio 44820

I hereby give my permission to the Ohio Genealogical Society for this chart to be published by same.

signature/date

ancestral chart

5 GENERATIONS

from chart --

born
married
died
resided

2 JOHN ALLEN

father of no. 1
b 30 Sept. 1670 Northampton, Ma.
d 3 Nov. 1739 Enfield, Ct.
m 3 May 1694
Northampton, Ma. &
Enfield, Ct.

5 MARY HANNUM

mother of no. 2
b 5 Apr. 1650
d

1 PATIENCE ALLEN

b 22 May 1709
d 30 Sept. 1731
m Enfield, Ct.
r

6 SIMEON BOOTH

father of no. 3
b 10 May 1641
d 28 Feb 1703 Hartford, Ct.
m 5 Jan 1664
r Ct.

3 BRIDGET BOOTH

mother of no. 1
b 1670
d 5 Sept 1714 Enfield, Ct.

7 REBECCA FROST

mother of no. 3
b 1640
d 25 Dec 1688 Enfield, Ct.

Name LUCILLA JEAN GIFFORD

Address 556 S. Poplar St.
Bucyrus, Ohio 44820

8 SAMUEL ALLEN

father of no. 4
b 1588 G.B.
d Apr. 1648, Windsor Ct.
m
r

9 ANN

mother of no. 4
b
d 13 Nov. 1687, Ma.

10 WILLIAM HANNUM

b
d 1 June 1677 Ma.
m
r

11 HONOR

b
d 1680 Westfield
Ma.

12 ROBERT BOOTH

b
d 1604 G.B.
1672
m
r

13 DEBORAH

b
d

14 DANIEL FROST

b
d
m
r

15 ELIZABETH

b
d

16 to chart

father of no. 8
b
d m
r

18 to chart

mother of no. 8
b
d m
r

19 to chart

b
d m
r

20 to chart

b
d m
r

21 to chart

b
d m
r

22 to chart

b
d m
r

23 to chart

b
d m
r

24 to chart

b
d m
r

25 to chart

b
d m
r

26 to chart

b
d m
r

27 to chart

b
d m
r

28 to chart

b
d m
r

29 to chart

b
d m
r

30 to chart

b
d m
r

31 to chart

b
d m
r

32 to chart

b
d m
r

I hereby give my permission to the Ohio Genealogical Society for this chart to be published by same.

signature/date

ancestral chart

5 GENERATIONS

from chart __

b=born
m=married
d=died
r=resided

4 THOMAS HASTINGS

father of no.2
b 1604 G.B.
d 1685
m Apr. 1650
r Roxbury Ma.

2 BENJAMIN HASTINGS

father of no.1
b 9 Aug. 1659
d 18 Dec. 1711
m
r 1683

5 MARGARET CHENEY
mother of no.2

↑ paternal

1 BENJAMIN HASTINGS

b may 1699
d 16 Aug. 1774
m 22 Sept. 1721
r

↓ maternal

6 father of no.3

3 MARY CLARK

mother of no.1
b
d

7 mother of no.3
b
d

8 father of no.4
b
d
m
r
9 mother of no.4
b
d

10 WILLIAM CHENEY
b
d
m
r
11 MARGARET
b
d

12
b
d
m
r
13
b
d

14
b
d
m
r
15
b
d

16 father of no.8
b
d
m
r
17 mother of no.8
b
d
18
b
d
m
r
19
b
d
20
b
d
m
r
21
b
d
m
r
22
b
d
m
r
23
b
d
24
b
d
m
r
25
b
d
26
b
d
m
r
27
b
d
28
b
d
m
r
29
b
d
30
b
d
m
r
31
b
d

CAM WM

Name LUELLA JEAN GIFFORD
Address 556 S. Poplar St.
Bucyrus, Ohio 44820

I hereby give my permission to the Ohio Genealogical Society for this chart to be published by same.

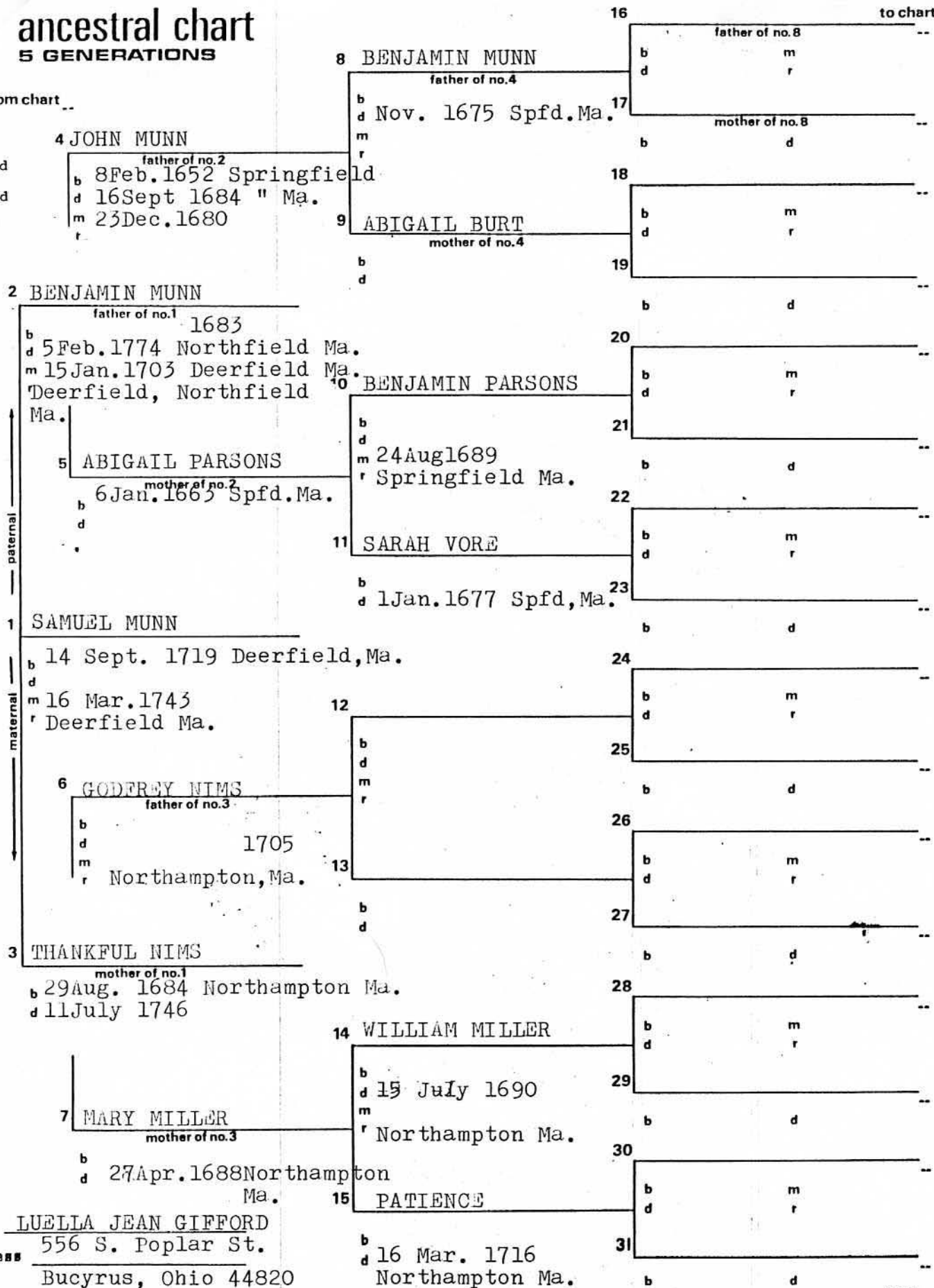
signature/date

ancestral chart

5 GENERATIONS

from chart ..

b=born
m=married
d=died
r=resided



Name LUELLA JEAN GIFFORD
Address 556 S. Poplar St.
Bucyrus, Ohio 44820

I hereby give my permission to the Ohio Genealogical Society for this chart to be published by same.

signature/date